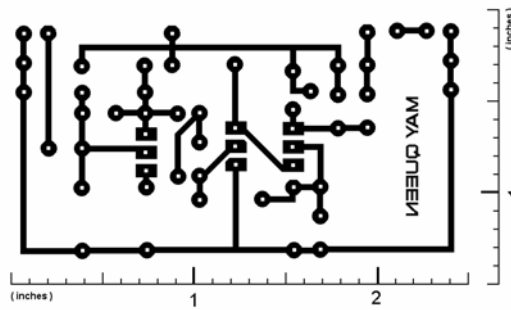
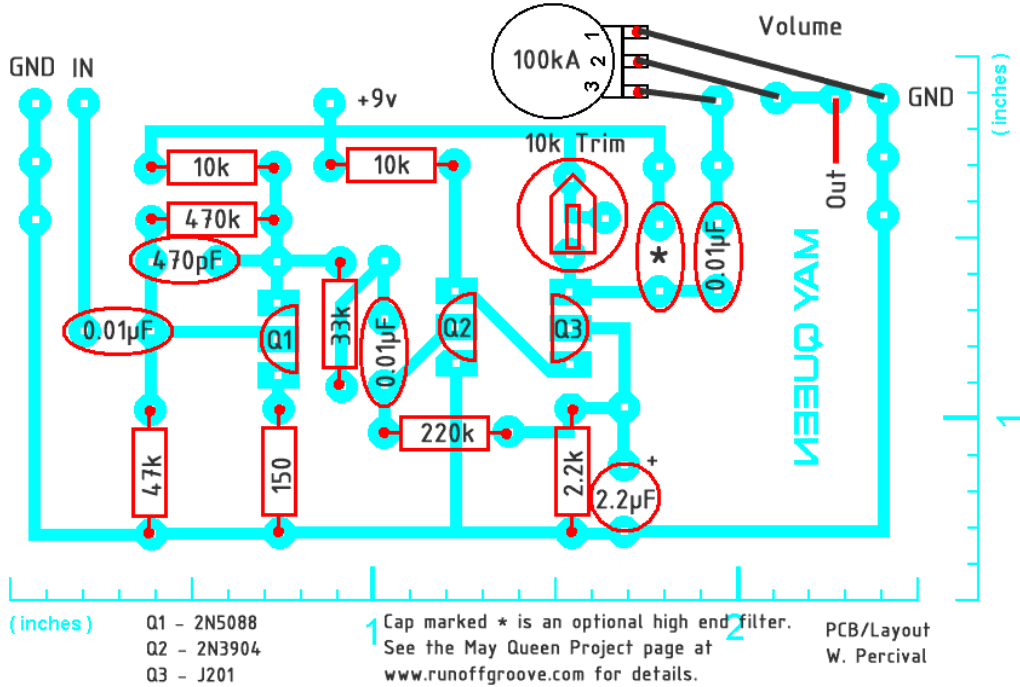


# May Queen

This is a layout/PCB for runoffgroove.com's May Queen. See their site for schematic and build tips.



Ready For Transfer PCB Mask